



**AUSTRALIA'S BUSIEST KITCHENS
RELY ON COOKON.**

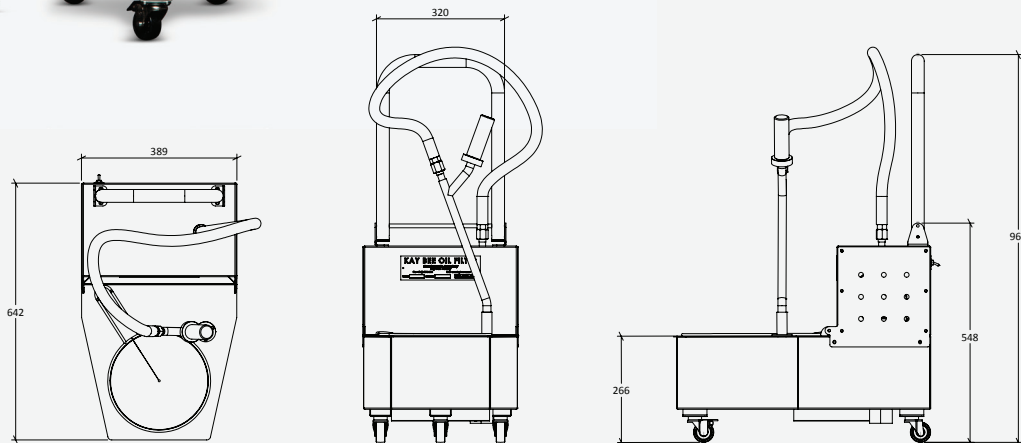


KAYBEE OIL FILTER SERIES OIL FILTER MACHINES

KayBee trading oil filter machines are built with stainless steel throughout and are designed for safety and reliability. The machines are compact for easy use and storage and fully mobile for ease of movement. KayBee oil filter machines come in either electric or battery models.

AVAILABLE MODELS

- KBE-1S – Electric for light use on small to medium fryers
- KBE-1SB – Battery operated for light use on small fryers
- KBC-1S – Electric for light use on small to medium fryers
- KBS-4S – Electric for heavy use on large fryers
- KBS-4SB – Battery operated for heavy use on large fryers



STANDARD FEATURES

- Stainless steel externals
- Swivel castors
- Drop down handles

OPTIONAL FEATURES

- Filter papers

SPECIFICATIONS

CAPACITY

- KBE-1S: 35 ltrs
- KBE-1SB: 35 ltrs
- KBC-1S: 38 ltrs
- KBS-4S: 50 ltrs
- KBS-4SB: 50 ltrs

MOTOR

- Electric motor: 1/3 – 1/2 HP, 50HZ, 240 volts, 1475 rpm, single phase
- Battery motor: 24DC volts, 100W outlet, 1500 rpm, 5.2 amps

DIMENSIONS (MM)

- KBE-1S: 340 x 570 x 285
- KBE-1SB: 340 x 570 x 520
- KBC-1S: 390 x 680 x 600
- KBS-4S: 500 x 750 x 600
- KBS-4SB: 500 x 750 x 600

* Measurements are with the handle down

- **WEIGHT (KG)**
- KBE-1S: 33
- KBE-1SB: 33
- KBC-1S: 38
- KBS-4S: 42
- KBS-4SB: 42

PUMP

- Electric pump: Roller pump capacity, 16 litres per minute, max speed 1475 rpm, max temp 205°C
- Battery pump: Rotary gear pump, max speed 1725 rpm, max temp 190°C

BATTERY

- KBE-1SB: Century 12V x 2
- KBS-4SB: Century 12V x 2

Specifications are subject to change without notice.

< CONFIDENCE IN QUALITY >
3 YEAR WARRANTY

All our products carry a 3 year warranty and will last a very long time if our care instructions are followed.
© Cookon is a member of the Langford Metal Industries Group, a Queensland company established 1955.

